

# ComRent International

LOAD BANK RENTALS AND SALES

## CR4.3MVA Resistive/Reactive Rental Load Bank — 3440kW & 2580kVAR

### Great For Load Testing Mission Critical Power Systems:

- Turbines ▪ Generators ▪ Switchgear  
UPS Systems ▪ Rotary UPS
- Adjustable — resistive only or PF to 0.6
- Completely weatherproof — operates in rain & snow; Runs at maximum capacity up to 120° F
- Easy operator controls with laptop computer or hand held controller
- Pre-programming of test & print outs available — graphs show response of unit to applied load
- Ultra compact design (20' ISO container) ships world wide & allows testing in space limited areas
- 1kW & 1kVAR minimum load steps

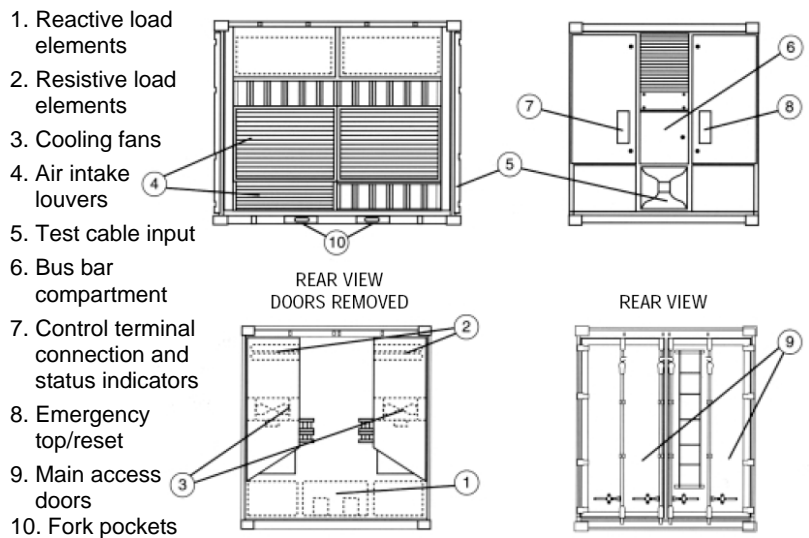


CR4.3MVA: Unmatched reliability, super compact design — in the most severe weather conditions

### CR4.3MVA Specifications

- ▶ **CAPACITY:** 480 VAC, 60 Hz, 3 phase, 0,8 PF. Minimum load steps 1kW, 1kVAR. Units are linkable for larger loads. May be used in lower voltages and 50 Hz at reduced capacity.
- ▶ **CONTROL SYSTEM:** Controlled via hand held computer or PC with printed documentation.
- ▶ **FAN & CONTROL POWER:** Via main bus, or 95 Amp, 480 VAC, 3 phase external source.
- ▶ **DIMENSIONS/CONSTRUCTION:** 20' L x 8' W x 8'6" H. 30,900 lbs. 20' ISO weatherproof container.
- ▶ **AIR FLOW:** Side intake, top exhaust.
- ▶ **AMBIENT PARAMETERS:** Maintains maximum capacity in ambient conditions up to 120° F and 100% humidity.
- ▶ **CABLE CONNECTIONS:** Flat bus bar, NEMA standard four hole connection point.

### Component Lay Out



ComRent International is your complete source world wide for load bank rentals, sales, and refurbishments. Products include:  
 Load Banks 1kW – 30mW • Resistive • Reactive • Capacitive • 1–1000 VDC • Electronic Loads • Power Cables  
 Medium Voltage Resistive, Reactive & Capacitive • 4mW @ 4160 VAC • 5mW @ 13.8 kV • 20–30mW @ 11-13.8 kV